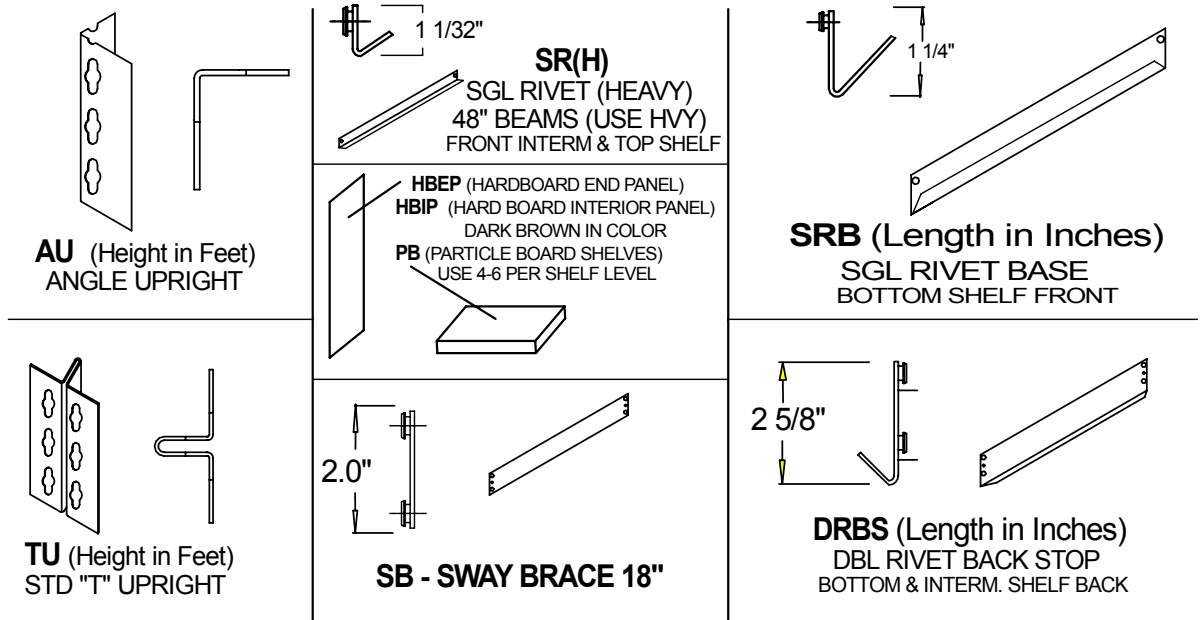
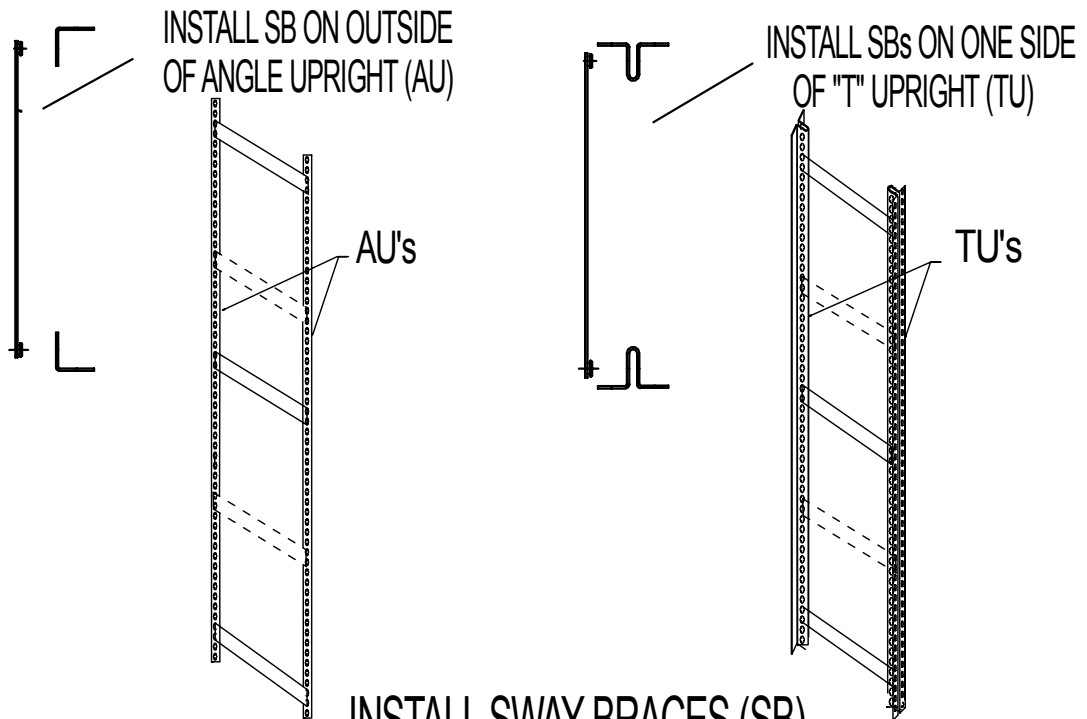


# X-RAY SINGLE ENTRY INSTALLATION INSTRUCTIONS

## FRAMING - COMPONENT PARTS



## STEP 1 OF 4 - ASSEMBLE UPRIGHT ENDS

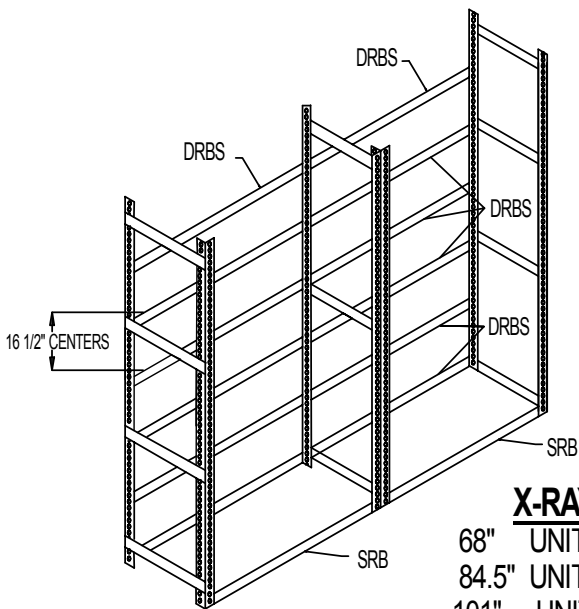


### INSTALL SWAY BRACES (SB)

- 3 SBs PER TWO UPRIGHTS ON 68" UNITS
- 4 SBs PER TWO UPRIGHTS ON 84.5" UNITS
- 5 SBs PER TWO UPRIGHTS ON 101" UNITS

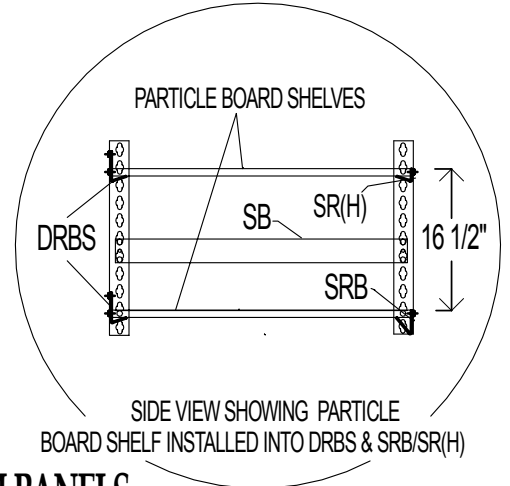
## STEP 2 OF 4 - INSTALL DOUBLE RIVET BACK STOPS (DRBS) & SINGLE RIVET BASE (SRB)

- \* INSTALL SINGLE RIVET BASE (SRB) FRONT BOTTOM
- \* INSTALL DBL RIVET BACK STOPS (DRBS) BACK BOTTOM & INTERM, SPACED 16 1/2" ON CENTER

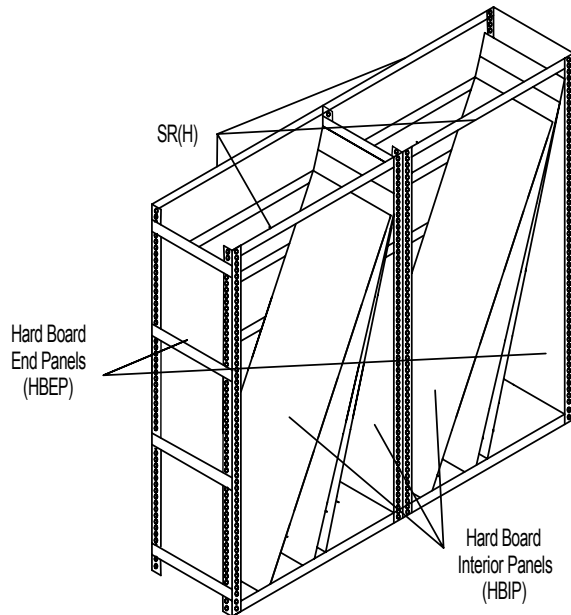


### X-RAY UNIT CONFIGURATIONS

- 68" UNIT - 4 OPENINGS / 5 SHELF LEVELS
  - 84.5" UNIT - 5 OPENINGS / 6 SHELF LEVELS
  - 101" UNIT - 6 OPENINGS / 7 SHELF LEVELS
- FRONT CLEAR OPENINGS ARE 15 1/4"



SIDE VIEW SHOWING PARTICLE BOARD SHELF INSTALLED INTO DRBS & SRB/SR(H)



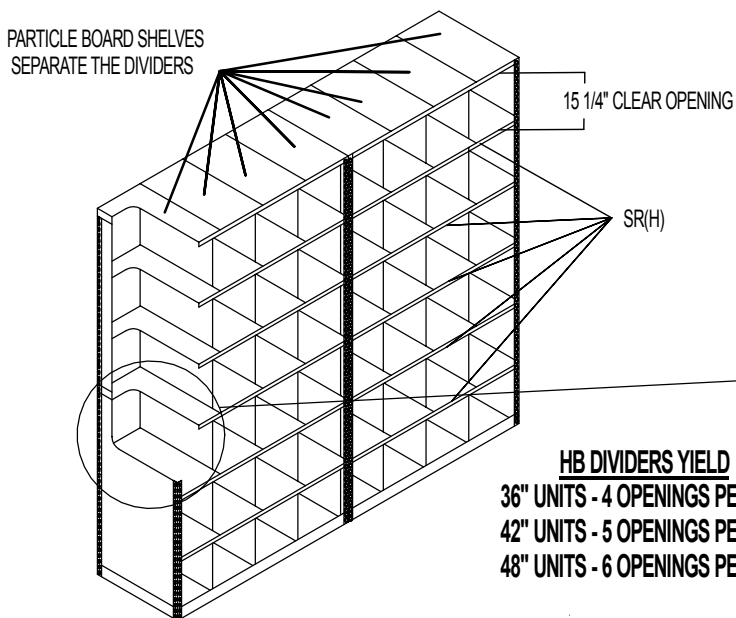
## STEP 3 OF 4

### INSERT END & INTERM PANELS (HBEP) & (HBIP) WITH TOP SHELF & INTERM. SHELF SUPPORTS (SR(H))

- PLACE HBEPs AGAINST SBs
- PLACE HBIPs IN UNIT.
- ADD TOP (SR(H)) & THE REST OF THE (SR(H)) ON 16 1/2" CENTERS

## STEP 4 OF 4

### INSTALL PARTICLE BOARD SHELVES WHILE SPACING DIVIDERS.



#### HB DIVIDERS YIELD

- 36" UNITS - 4 OPENINGS PER SHELF
- 42" UNITS - 5 OPENINGS PER SHELF
- 48" UNITS - 6 OPENINGS PER SHELF

