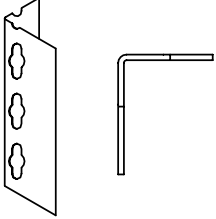
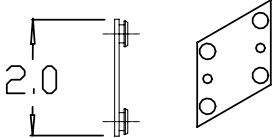
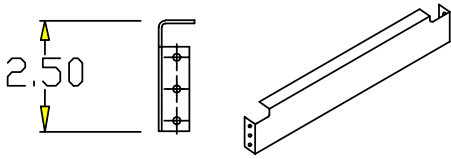
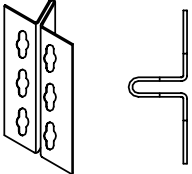
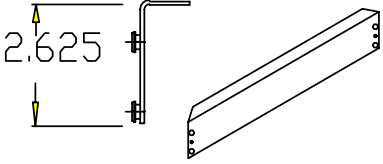
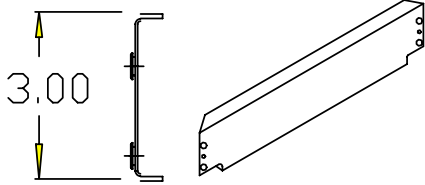
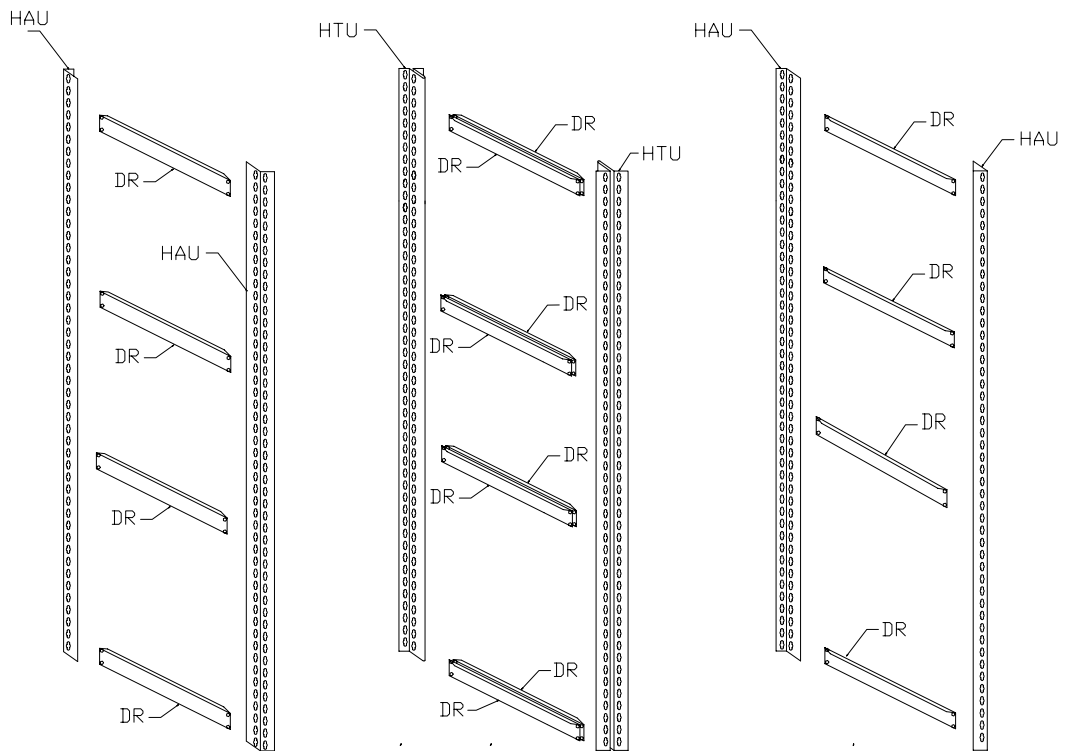


WIDE SPAN SHELVING INSTALLATION INSTRUCTIONS

COMPONENT PARTS

 <p>HAU (height in feet) HEAVY ANGLE UPRIGHT</p>	 <p>TP TIE PLATE * ONLY USED TO TIE TWO STARTER UNITS TOGETHER.</p>	 <p>STS (length in inches) SHELF TIE SUPPORT</p>
 <p>HTU (height in feet) TEE UPRIGHT</p>	 <p>DR (length in inches) DOUBLE RIVET</p>	 <p>DRC (length in inches) DOUBLE RIVET CHANNEL</p>

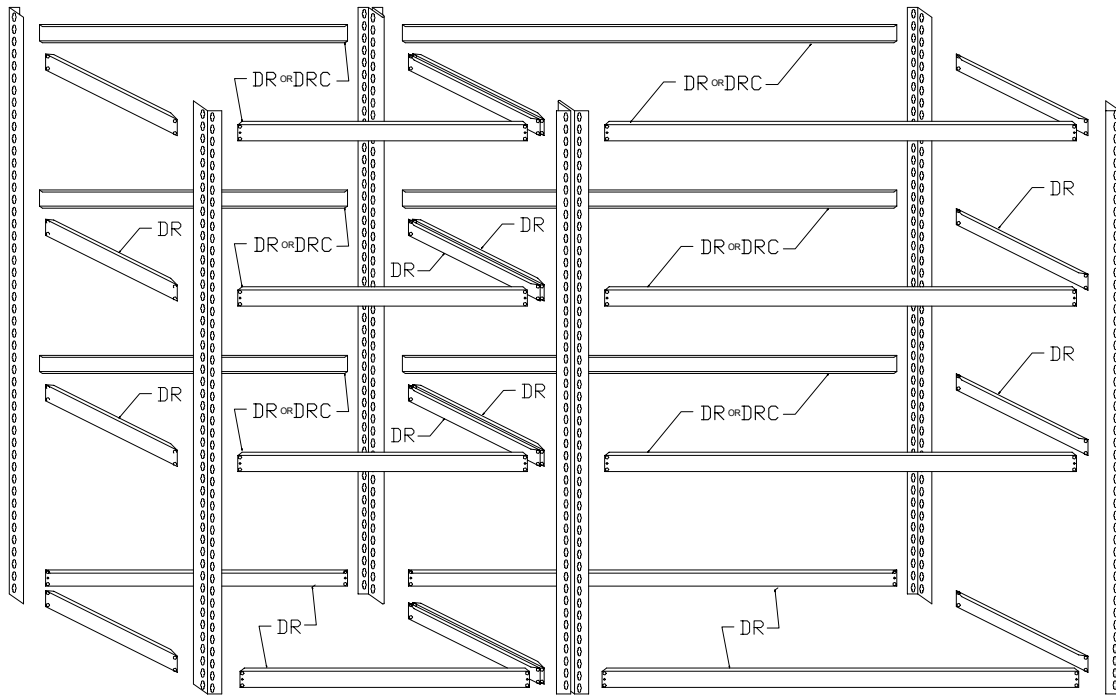
STEP 1 OF 4 - ASSEMBLE UPRIGHT ENDS



INSTALL TOP AND BOTTOM BEAMS
THEN DETERMINE SHELF SPACING AND INSTALL REMAINING.

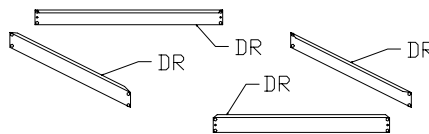
ASSEMBLY SHOWS STARTER ANGLES (HAU)
AND ADDER INTERMEDIATE (HTU).

STEP 2 OF 4 - ASSEMBLE SHELF PERIMETERS

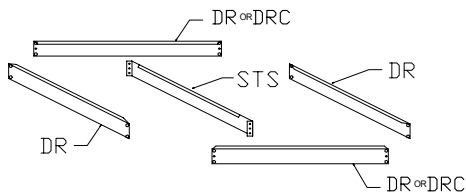


***USE A DR BEAM ON BOTTOM SHELF
ALL TYPES OF UNITS.**

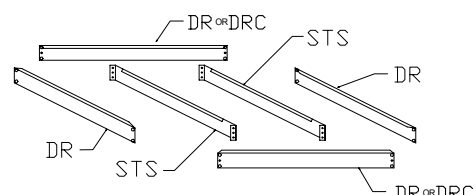
STEP 3 OF 4 - ADD SHELF TIE SUPPORTS (STS)



TYPE "A" SHELF (NO STS)



UP TO 84" WIDE (ONE STS)



90" AND 96" (TWO STS)

TYPE "B" (DR) & "C" (DRC) SHELF

* TYPE OF SHELF IS INDICATED
BY A/B/C IN THE UNIT NUMBER

STEP 4 OF 4 - SET DECKING IN PLACE TO COMPLETE INSTALLATION