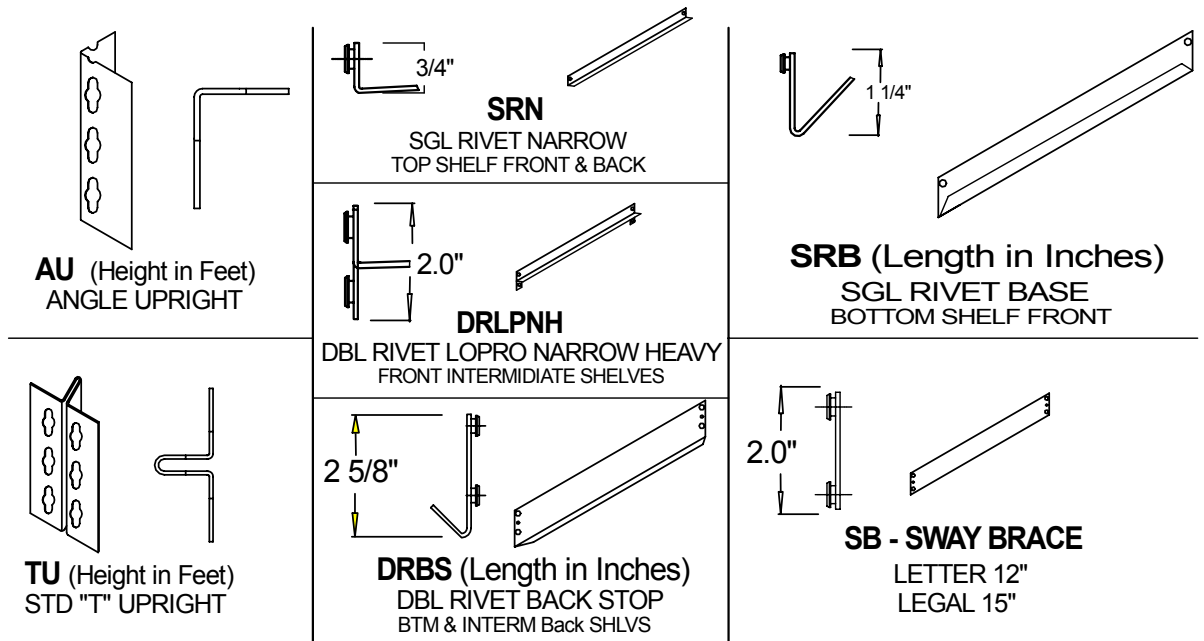
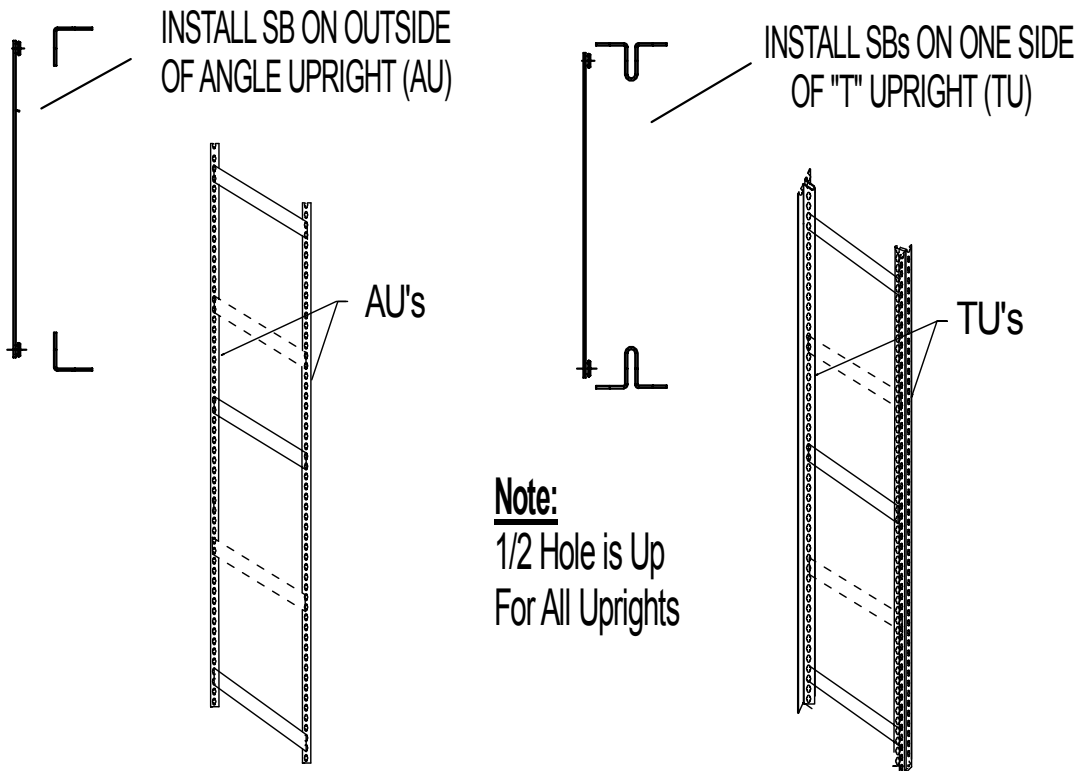


# SGL ENTRY SIDE TAB OPEN SHELF INSTALLATION INSTRUCTIONS

## FRAMING - COMPONENT PARTS



## STEP 1 OF 4 - ASSEMBLE UPRIGHT ENDS

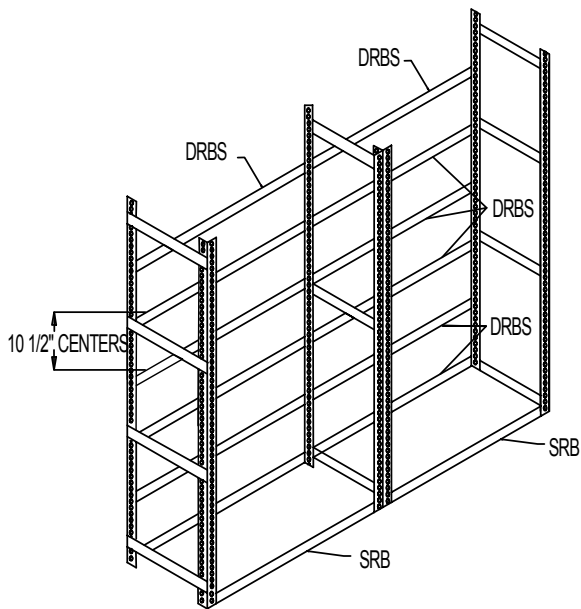


## INSTALL SWAY BRACES (SB)

3 SBs Per Two Uprights on 65, 75.5" HIGH Units

4 SBs Per Two Uprights on 86, 96.5" HIGH Units

## STEP 2 OF 4 INSTALL DOUBLE RIVET BACK STOPS (DRBS) & SINGLE RIVET BASE (SRB)



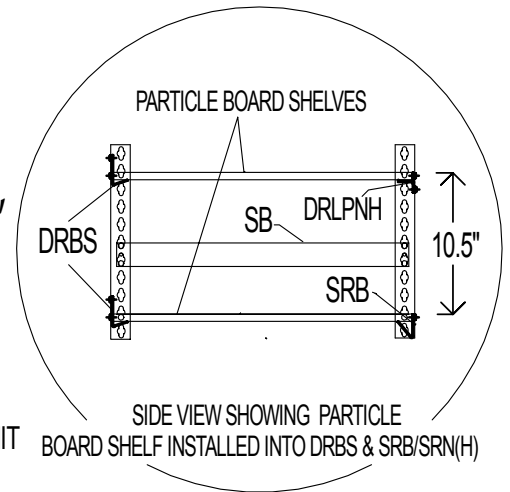
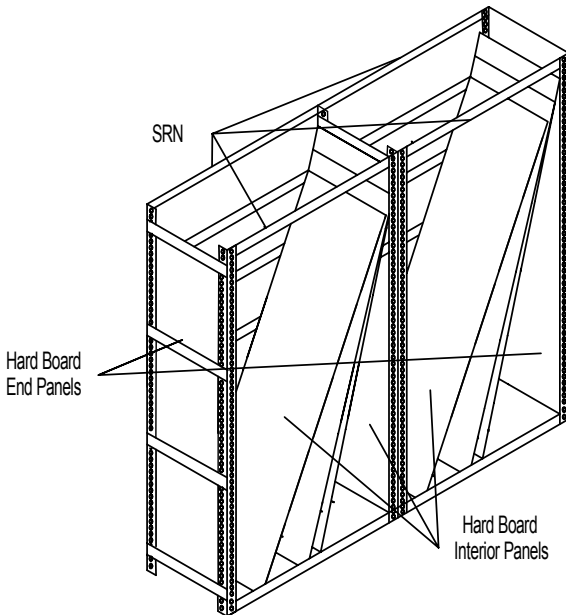
### SIDE TAB FILE UNIT CONFIGURATIONS

65"	UNIT - 6 OPENINGS / 7 SHELF LEVELS
75.5"	UNIT - 7 OPENINGS / 8 SHELF LEVELS
86"	UNIT - 8 OPENINGS / 9 SHELF LEVELS
96.5"	UNIT - 9 OPENINGS / 10 SHELF LEVELS

FRONT OPENINGS ARE 9 3/4" CLEAR

- \* INSTALL SINGLE RIVET BASE (SRB) FRONT BOTTOM
- \* INSTALL BACK STOPS EXCEPT FOR TOP SHELF
- \* SPACE SHELVES 10 1/2" ON CENTER

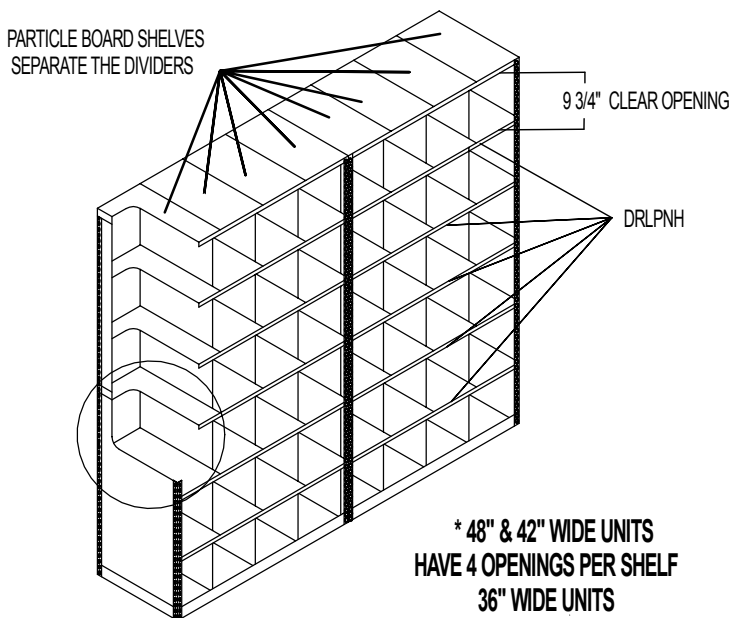
## STEP 3 OF 4 INSERT END PANELS (HBEP), INTERMEDIATE PANELS (HBIP), SHELF SUPPORTS, TOP (SRN) & INTERM. FRONT (DRLPNH)



- PLACE HBEPs AGAINST SBs
- PLACE HBIPs IN UNIT.
- ONCE THE PANELS ARE IN THE UNIT  
ADD TOP SHELF & INTERM. SHELF  
SUPPORTS ON 10 1/2" CENTERS

SIDE VIEW SHOWING PARTICLE BOARD SHELF INSTALLED INTO DRBS & SRB/SRN(H)

## STEP 4 OF 4 INSTALL PARTICLE BOARD SHELVES BETWEEN HARD BOARD DIVIDERS.



- \* 48" & 42" WIDE UNITS  
HAVE 4 OPENINGS PER SHELF
- 36" WIDE UNITS  
HAVE 3 OPENINGS PER SHELF

