

STEP 2 OF 4

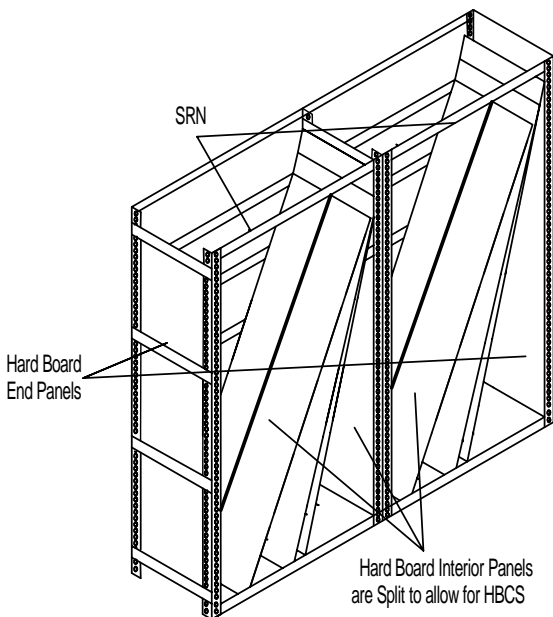
INSTALL SGL RIVET BASES & SHELF SUPPORTS ON ONE SIDE

DRLPNH & SRN

SIDE TAB DOUBLE ENTRY UNIT CONFIG.

65" UNIT - 6 OPENINGS / 7 SHELF LEVELS
 75.5" UNIT - 7 OPENINGS / 8 SHELF LEVELS
 86" UNIT - 8 OPENINGS / 9 SHELF LEVELS
 96.5" UNIT - 9 OPENINGS / 10 SHELF LEVELS
 FRONT OPENINGS ARE 9 3/4" CLEAR

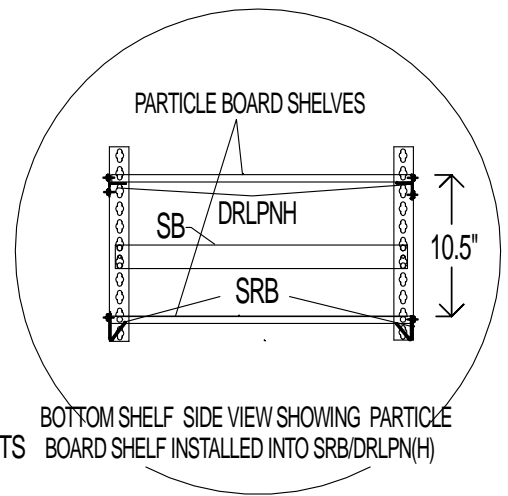
- * INSTALL SINGLE RIVET BASES (SRB)
- * INSTALL SHELF SUPPORTS DRLPNH & SRN ON ONE SIDE
- * SPACING ON 10 1/2" CENTERS TO ALLOW 9 3/4" CLEAR OPENING



STEP 3 OF 4

INSERT END PANELS (HBEP) & INTERMEDIATE PANELS (HBIP) WITH TOP FRONT (SRN) & INTERM FRONT (DRLPNH)

- PLACE HBEPs AGAINST SBs
- PLACE HBIPs IN UNIT (TWO PANELS = ONE DIVIDER).
- ONCE THE PANELS ARE IN THE UNIT ADD TOP & INTERM. SHELF SUPPORTS ON 10 1/2" CENTERS

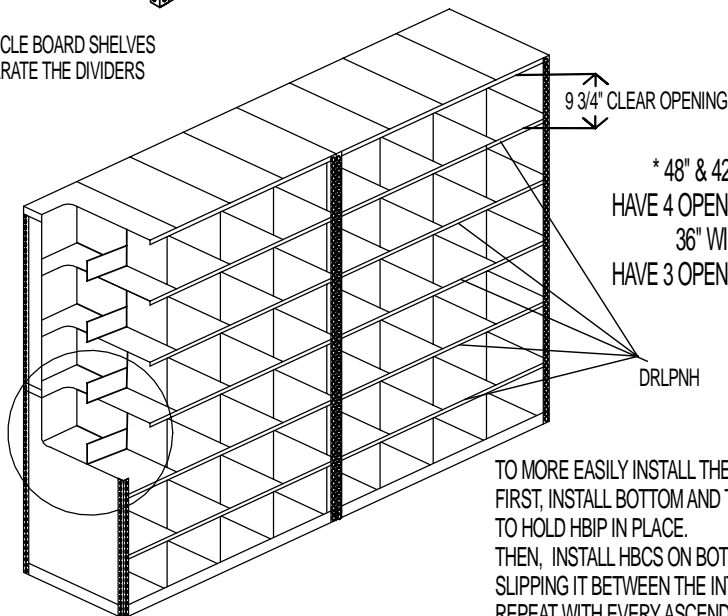


BOTTOM SHELF SIDE VIEW SHOWING PARTICLE BOARD SHELF INSTALLED INTO SRB/DRLPN(H)

STEP 4 OF 4

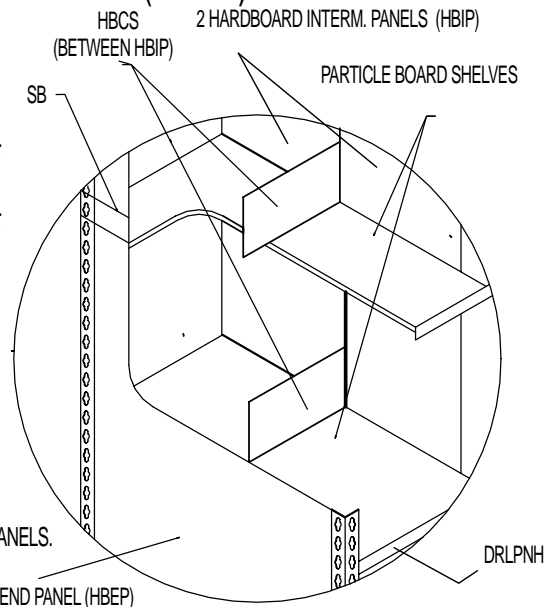
INSTALL PARTICLE BOARD SHELVES WITH HARDBOARD DIVIDERS (HBEP/HBIP) & CENTER STOPS (HBCS)

PARTICLE BOARD SHELVES SEPARATE THE DIVIDERS



* 48" & 42" WIDE UNITS HAVE 4 OPENINGS PER SHELF
 36" WIDE UNITS HAVE 3 OPENINGS PER SHELF

TO MORE EASILY INSTALL THE HBCS: FIRST, INSTALL BOTTOM AND TOP PB SHELVES, TO HOLD HBIP IN PLACE. THEN, INSTALL HBCS ON BOTTOM SHELF, BY SLIPPING IT BETWEEN THE INTERIOR DIVIDER PANELS. REPEAT WITH EVERY ASCENDING SHELF LEVEL.



HARDBOARD END PANEL (HBEP)