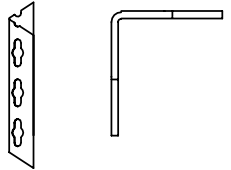
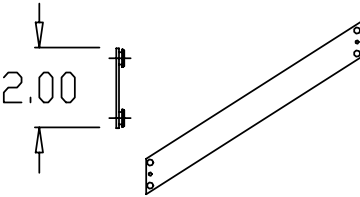
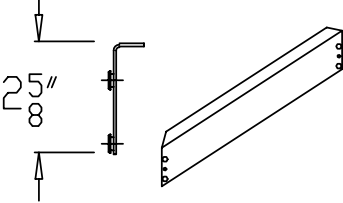
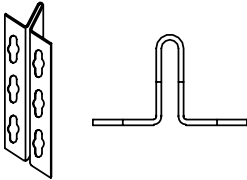
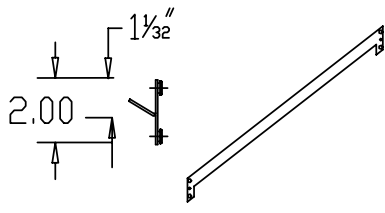
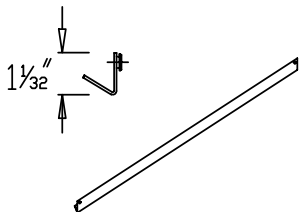


LO-PRO SHELVING INSTALLATION INSTRUCTIONS FOR UNITS 30"- 48" DEEP

BASC MFG., INC.

COMPONENTS

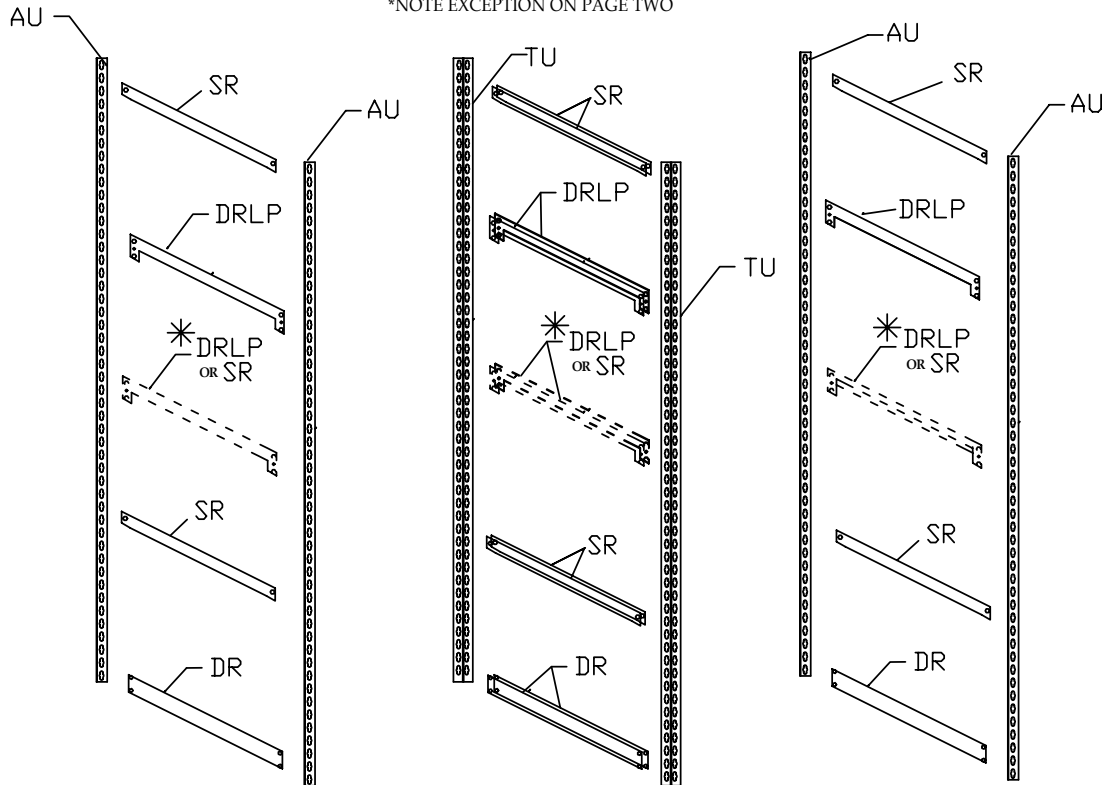
 <p>AU (height in feet) ANGLE UPRIGHT</p>	 <p>SB (length in inches) SWAY BRACE</p>	 <p>DR (length in inches) DOUBLE RIVET</p>
 <p>TU (height in feet) TEE UPRIGHT</p>	 <p>DRLP (length in inches) DOUBLE RIVET LOW PROFILE</p>	 <p>SR (length in inches) SINGLE RIVET</p>

STEP 1 OF 4 - ASSEMBLE UPRIGHT ENDS

INSTALL **DRLP** SHELF ONE DOWN FROM TOP!

DETERMINE SHELF SPACING, ADD DRs & DRLPs THEN SRs
UNITS DEEPER THAN 24" REQUIRE A FULLY SUPPORTED SHELF.

*NOTE EXCEPTION ON PAGE TWO

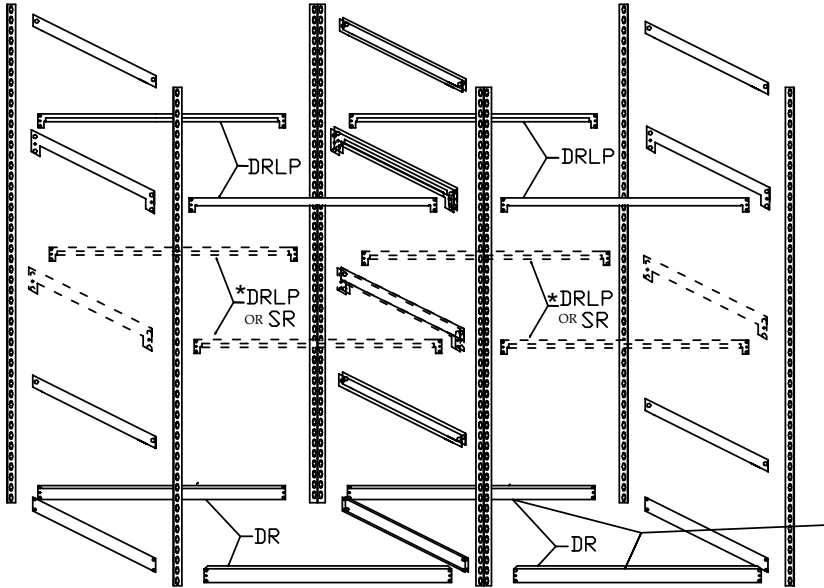


* ADDITIONAL DRLPs ARE REQUIRED FOR UNITS OVER 84" TALL
ASSEMBLY SHOWS A STARTER WITH ADD-ON UNIT.

www.BascMfg.com

ASSYLP30INCHF070202

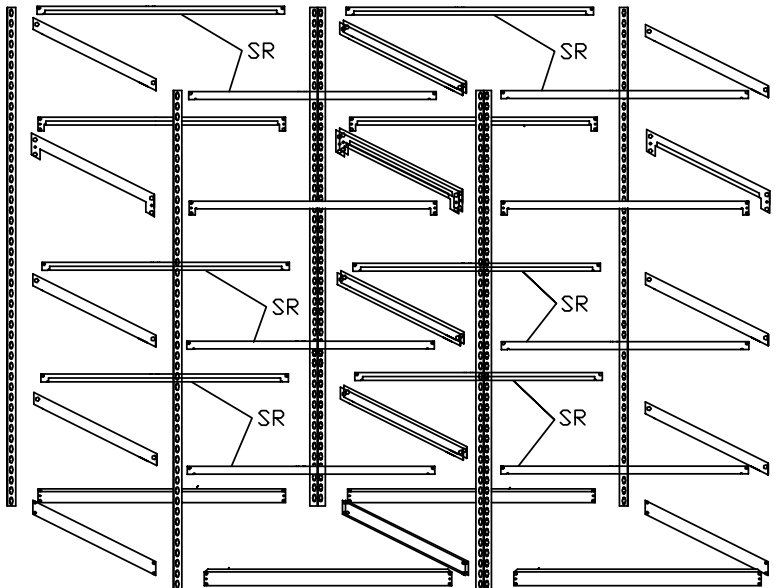
STEP 2 OF 4 - ASSEMBLE FRONT DRs & DRLPs



*ADDITIONAL DRLPs
ARE REQUIRED FOR
UNITS OVER 84" TALL

INSERT BOTTOM
DRs FIRST

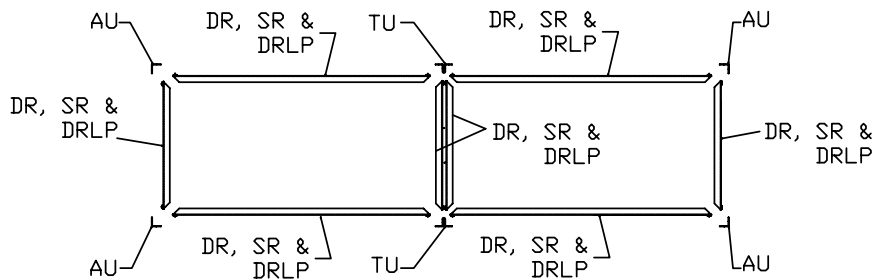
STEP 3 OF 4 - ASSEMBLE FRONT SRs



*LO-PRO UNITS
DEEPER THAN 24"
REQUIRE A FULL
SUPPORTED SHELF.

EXCEPTION:
IF THE DECKING IS
REINFORCED WIRE,
SWAY BRACING MAY
BE USED.

STEP 4 OF 4 - PLACE DECKING TO COMPLETE INSTALLATION



TYPICAL LO-PRO ASSEMBLY, OVER 24 IN DEPTH (TOP VIEW)