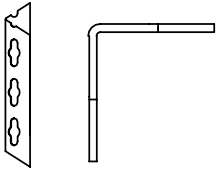
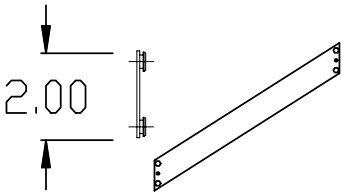
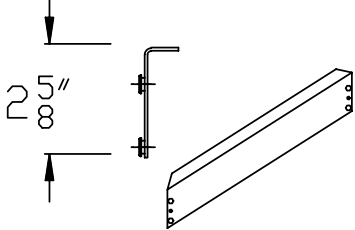
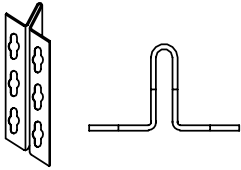
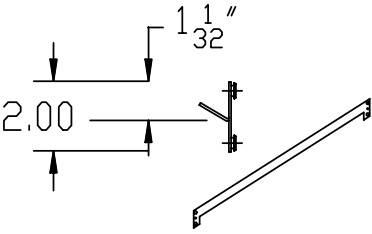
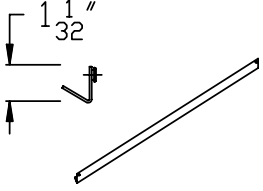


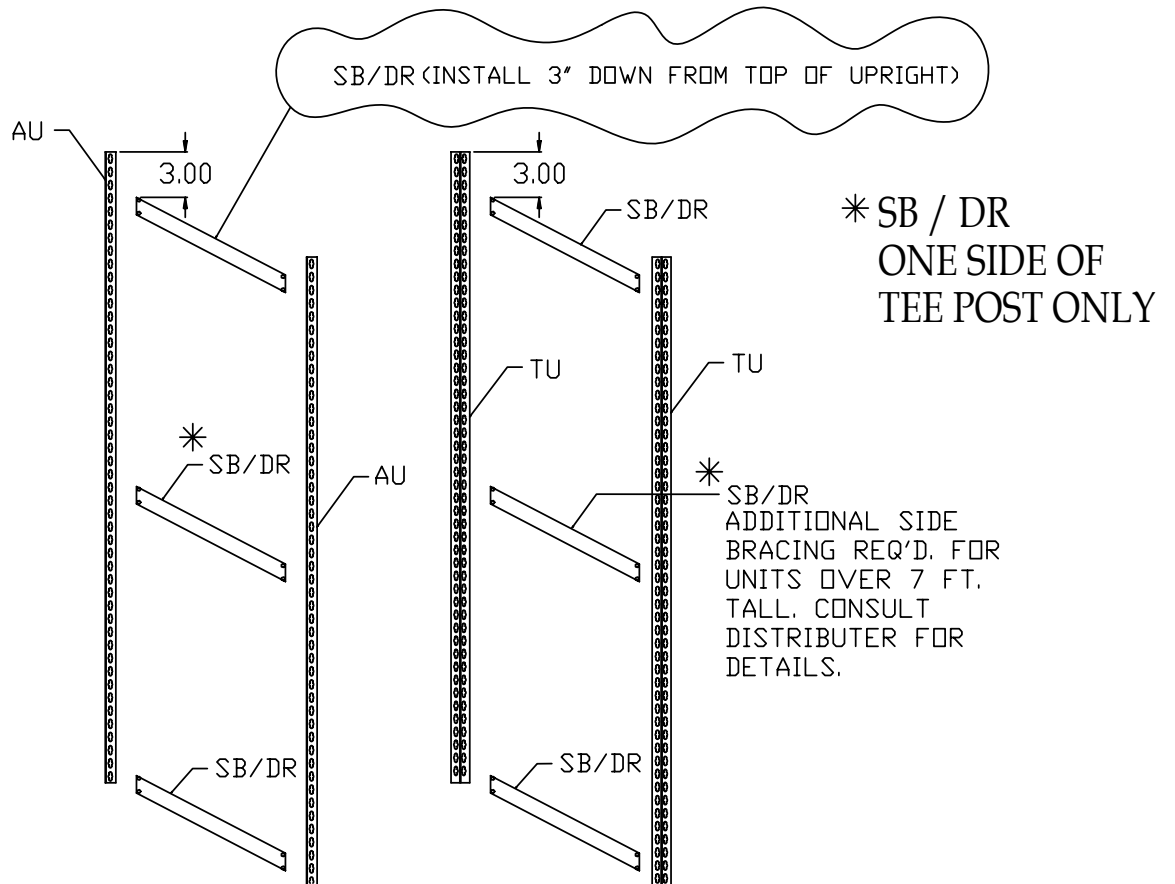
# LO-PRO SHELVING INSTLLATION INSTUCTIONS FOR UNITS UP TO 24" DEEP



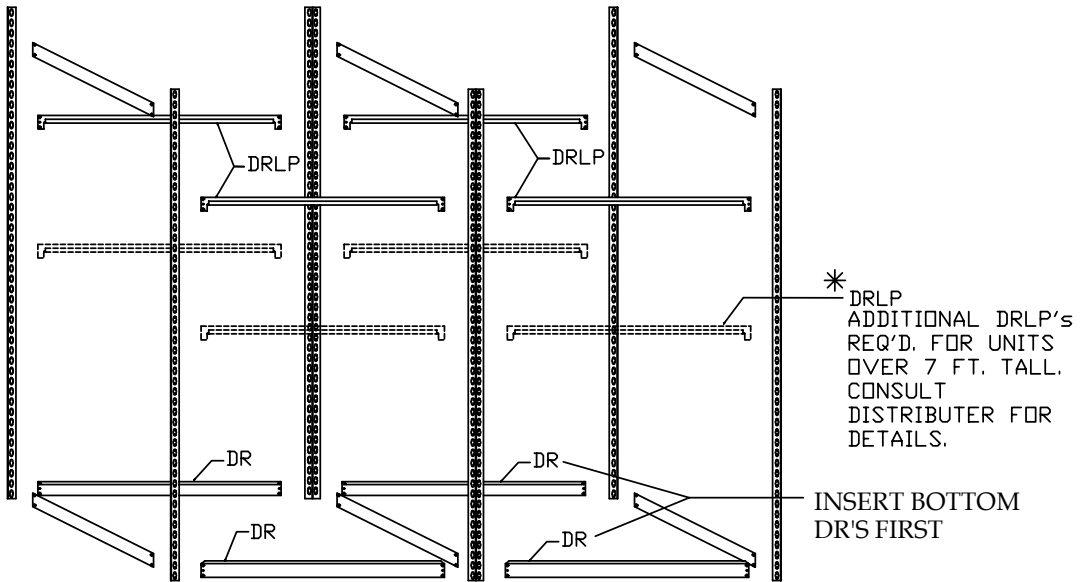
## COMPONENTS

 <p>AU (height in feet) ANGLE UPRIGHT</p>	 <p>SB (length in inches) SWAY BRACE</p>	 <p>DR (length in inches) DOUBLE RIVET</p>
 <p>TU (height in feet) TEE UPRIGHT</p>	 <p>DRLP (length in inches) DOUBLE RIVET LOW PROFILE</p>	 <p>SR (length in inches) SINGLE RIVET</p>

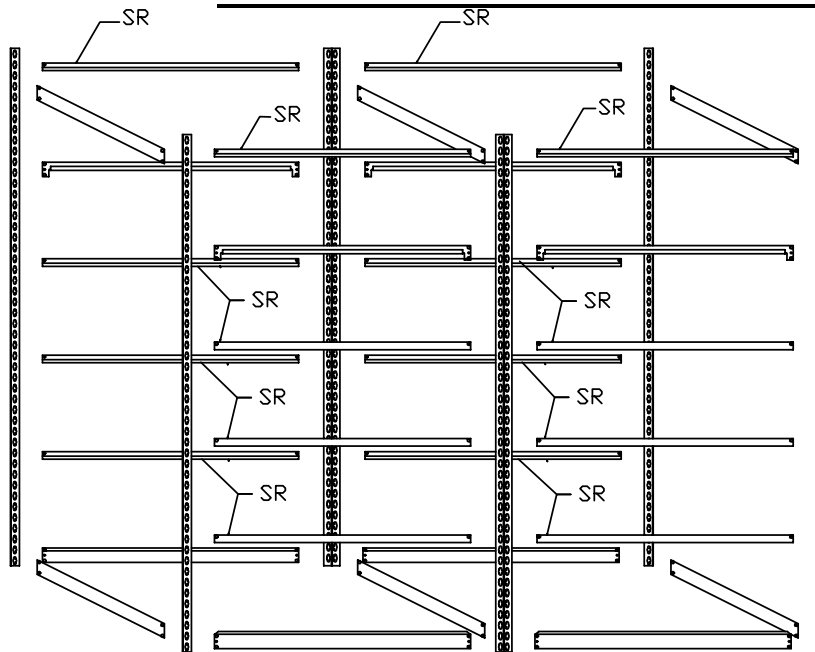
## STEP 1 OF 4 - ASSEMBLE UPRIGHT ENDS



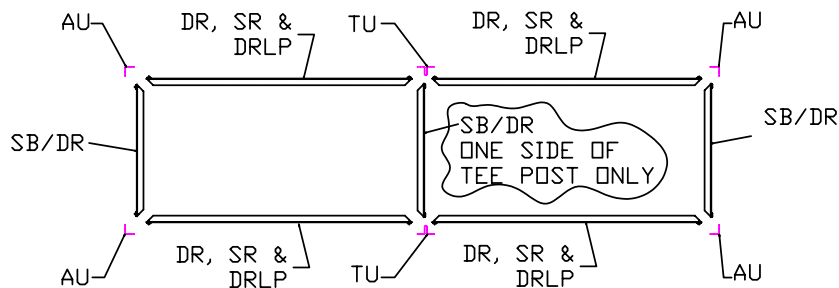
## STEP 2 OF 4 - ASSEMBLE FRONT DRs & DRLPs



## STEP 3 OF 4 - INSTALL SRs



## STEP 4 OF 4 - PLACE DECKING TO COMPLETE INSTALL



TYPICAL LQ-PRO ASSEMBLY OF UNITS  
 UP TO 24 INCHES IN DEPTH (TOP VIEW)