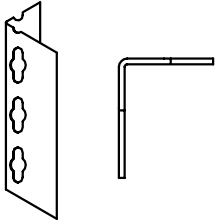
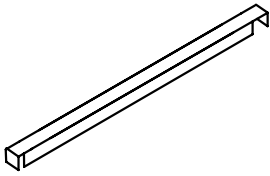
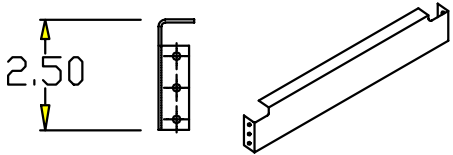
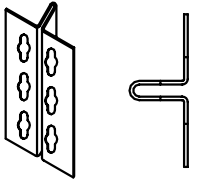
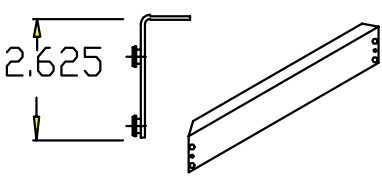
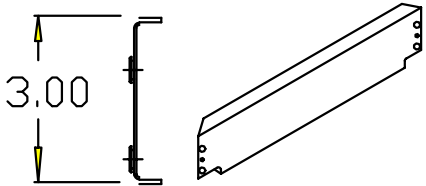
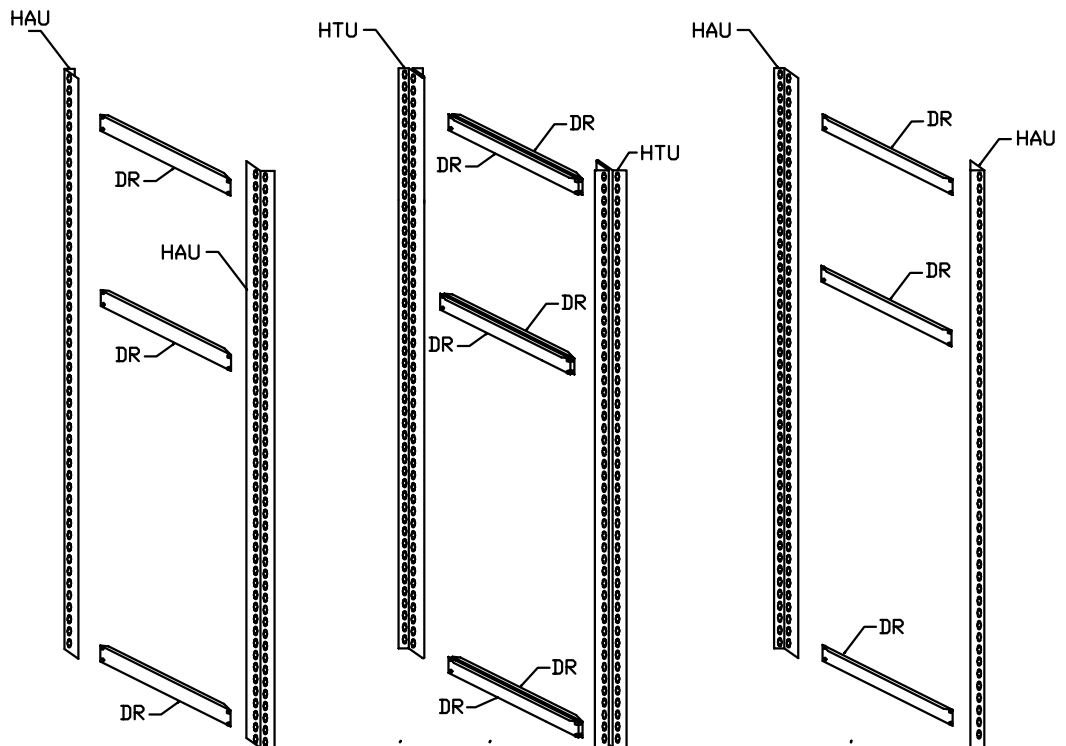


# AUTOMOTIVE HANGING UNIT INSTALLATION INSTRUCTIONS

## COMPONENT PARTS

|   |  |  |
|---|--|--|
|  <p>HAU (HEIGHT IN FEET)<br/>HVY ANGLE UPRIGHT</p> |  <p>BLHB (LENGTH IN INCHES)<br/>BOLTLESS HANG BAR</p> |  <p>STS (LENGTH IN INCHES)<br/>SHELF TIE SUPPORT</p>    |
|  <p>HTU (HEIGHT IN FEET)<br/>HVY TEE UPRIGHT</p>   |  <p>DR (LENGTH IN INCHES)<br/>DOUBLE RIVET BEAM</p>  |  <p>DRC (LENGTH IN INCHES)<br/>DOUBLE RIVET CHANNEL</p> |

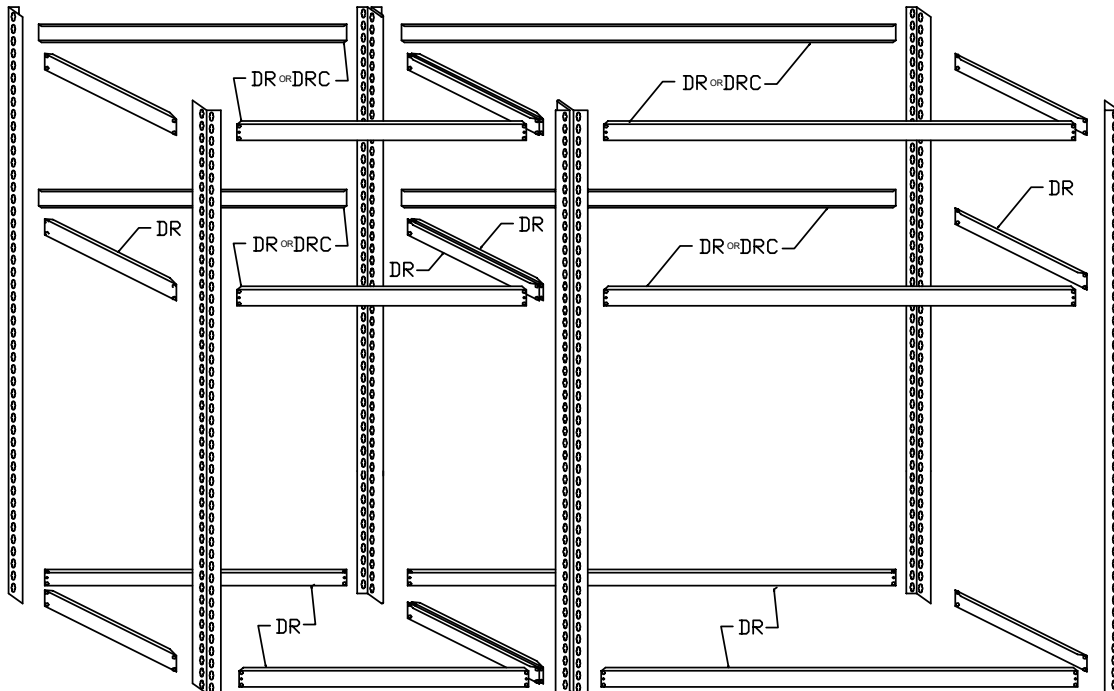
## STEP 1 OF 3 - ASSEMBLE UPRIGHT ENDS



INSTALL TOP AND BOTTOM BEAMS  
THEN DETERMINE HANGBAR LOCATION INSTALL REMAINING.

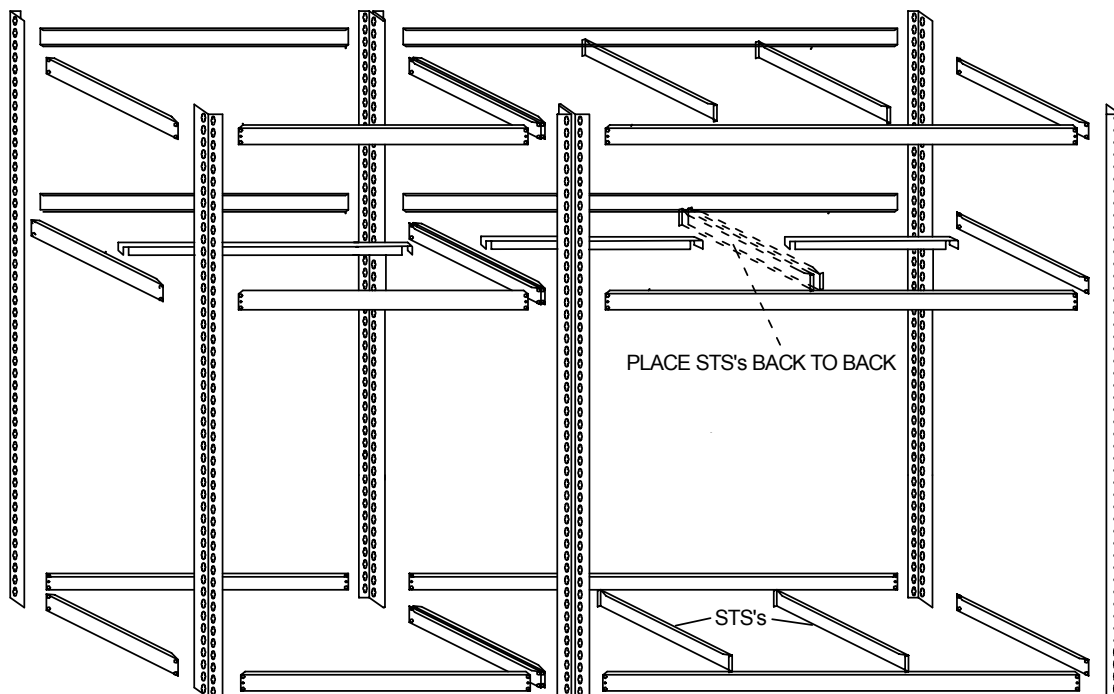
ASSEMBLY SHOWS STARTER ANGLES (HAU)  
AND ADDER INTERMEDIATE (HTU).

## STEP 2 OF 3 - ASSEMBLE SHELF PERIMETERS



**\*USE A DR BEAM ON BOTTOM SHELF  
ALL TYPES OF UNITS.**

## STEP 3 OF 3 - ASSEMBLE STS's & HANG BARS



**84" & 96" WIDE UNITS WILL HAVE STS HOLES DRILLED ON CENTER  
TO ALLOW FOR INTALLATION OF THE HANG BARS**