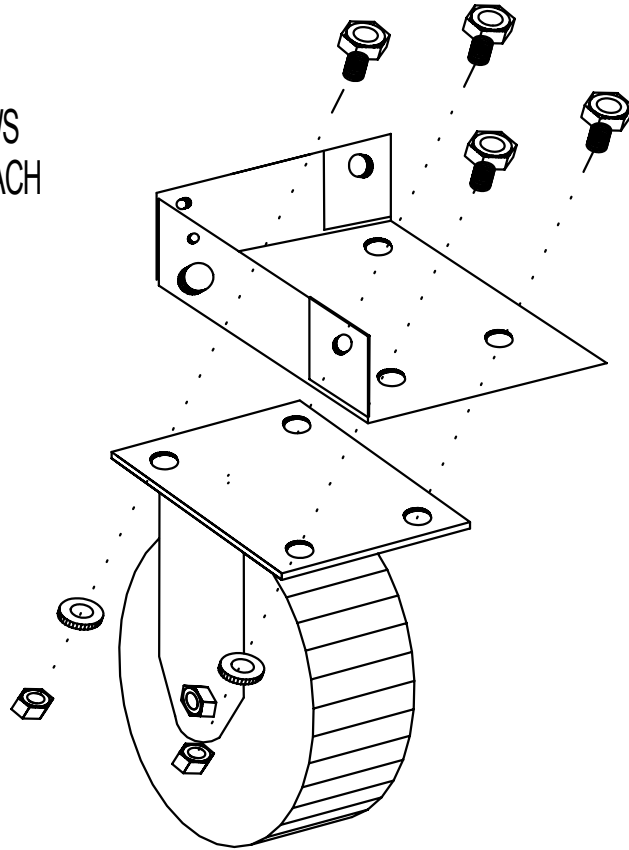


STEP 2 OF 3 - ATTACH CASTER BRACKET TO CASTER BASE

USE 4 SETS: 5/16" HEXHEAD CAP SCREWS WITH NUTS AND LOCK WASHERS, TO ATTACH CASTER BRACKET TO CASTER PLATE.



STEP 3 OF 3 - ATTACH CASTER ASSEMBLY TO SHELVING UNIT

ON BOTH SIDES OF THE UPRIGHT PLACE **"A"** 1/4" PHILLIPS HEAD BOLT AND NUT THROUGH BRACKET, UPRIGHT AND CBDR BEAMS & ON BOTH SIDES PLACE **"B"** 5/16" HEX HEAD BOLTS W/ NUTS & WASHERS THROUGH BRACKET AND BEAM

NOTE: THE HAU UPRIGHTS WILL FIT INTO THE CASTER BRACKETS "LONG SIDE TO LONG SIDE." IMPROPER MATCHING WILL RESULT IN THE UPRIGHT OVER LAPPING THE SPACER ON THE CASTER BRACKET.

FOR EASIER ASSEMBLY CONSIDER ASSEMBLING THE SHELVING UNIT THEN TURNING THE UNIT UPSIDE DOWN TO ADD THE CASTERS AND CASTER BRACKETS.

